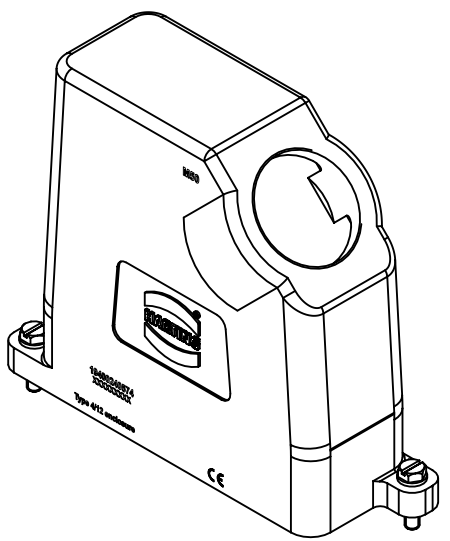
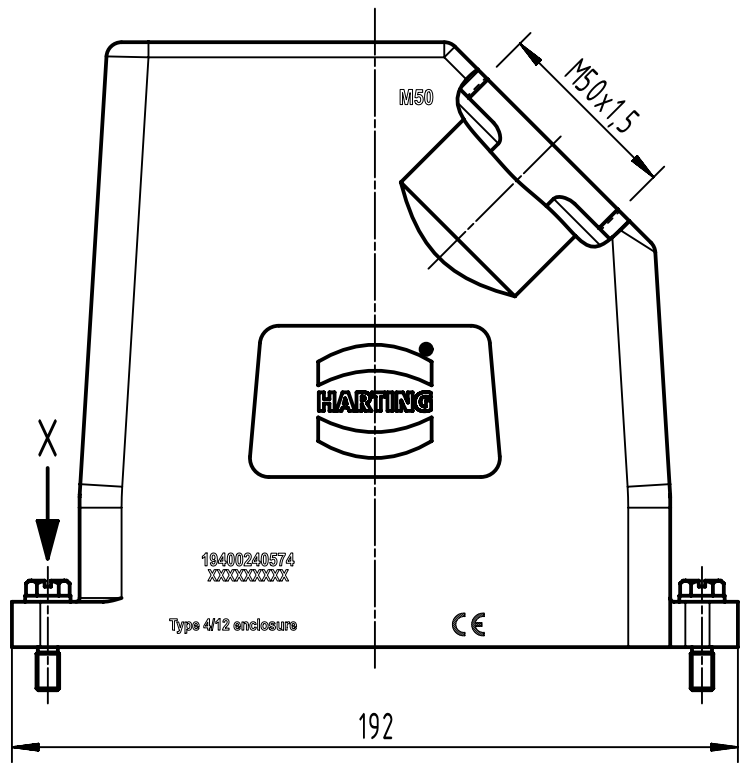
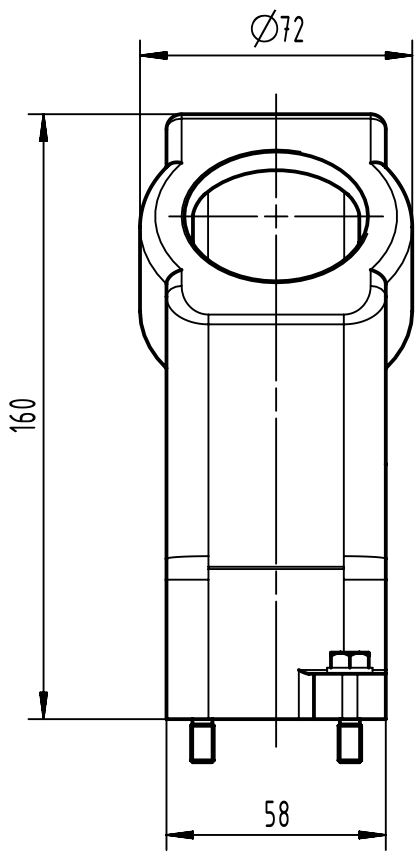
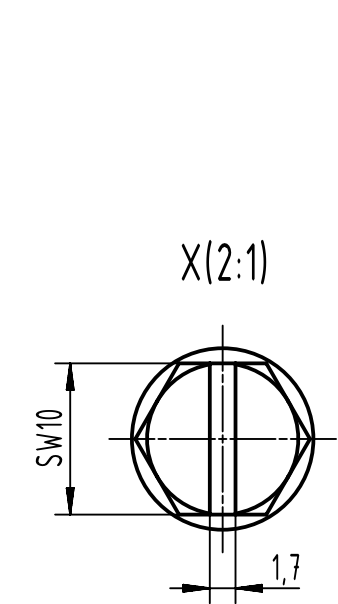


1 2 3 4 5 6

A  
B  
C  
D



	All Dimensions in mm Original Size DIN A4		Scale 1:2	Free size tol.		Ref.
						Sub.
	All rights reserved		Created by SPRENB	Inspected by GERB	Standardisation 302077	Date 2021-06-01
	Department EL PD					State Final Release
HARTING D-32339 Espelkamp			Title Han 24HPR-HSE45°-SL-M50			Doc-Key / ECM-Nr. 100176885/UGD/004/B 500000195903
			Type TB	Number 19 40 024 0574		Rev. B Page 1/1